



COMPETITOR SERIES®



C-SP36-10-HC



C-SP36-15BT-HC

SLIM SANDWICH PREPARATION TABLES

- Beautiful ergonomic construction & rounded corners
- Digital temperature controller and read-out
- All stainless steel exterior and interior
- Forced air refrigeration system
- 9 1/4" deep cutting board included
- Recessed door handles
- Rail accommodates 6" deep pans
- Pre-installed casters and shelving
- 90 degree hold open door feature for loading products
- All Natural R290 Hydrocarbon Refrigerant
- US Department of Energy Certified
- Insulated hood and lids ensure food products in rail stay cold
- Migali Industries® Protection Plan: 2 Year Parts & Labor Warranty, 5 Years Compressor Warranty

MODEL	DOORS	NUM. OF (1/3) SIZE PANS*	CAPACITY CU/FT	SHELVES	H/P	AMPS	VOLTAGE	ENERGY CONSUMPTION KWH/24 HR	PLUG TYPE	TEMP RANGE	EXTERIOR DIMENSIONS W X D X H**	INTERIOR DIMENSIONS W X D X H	PACKAGED DIMENSIONS W X D X H**	WEIGHT	PACKAGED WEIGHT
C-SP36-10-HC	2	10	9.4	2	1/7	2.3	115/60/1	1.65	Nema 5-15P	+33°F (-) +41°F	36.3 x 30 x 41.4	32.8 x 23.6 x 23.6	38.5 x 32.7 x 46.7	175	230
C-SP36-15BT-HC	2	15	9.4	2	1/7	2.3	115/60/2	1.65	Nema 5-15P	+33°F (-) +41°F	36.3 x 36.75 x 46.6	32.8 x 23.6 x 23.6	38.5 x 36.2 x 48.4	176	242

* Pans are not included
 ** Total height includes casters

FOR COMMERCIAL USE ONLY

NOTE: MIGALI® RESERVES THE RIGHT TO CHANGE SPECIFICATIONS WITHOUT NOTICE

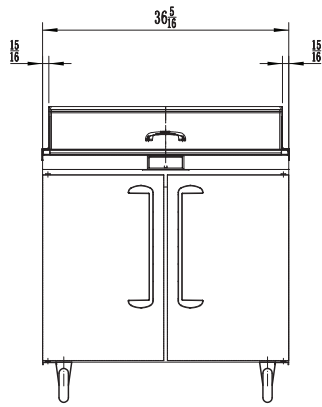


TOLL FREE: 800.852.5292
 WEB: www.migali.com

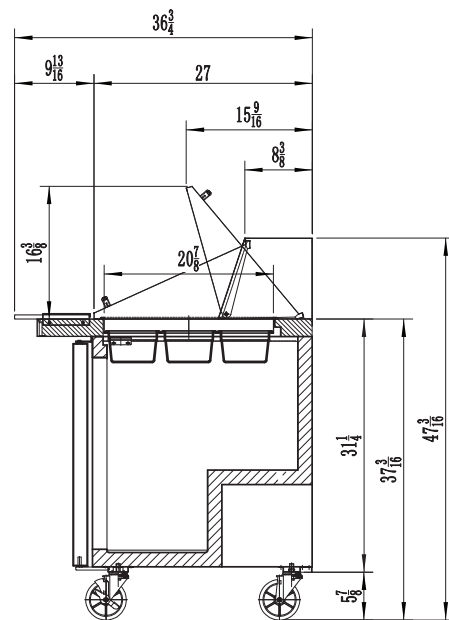
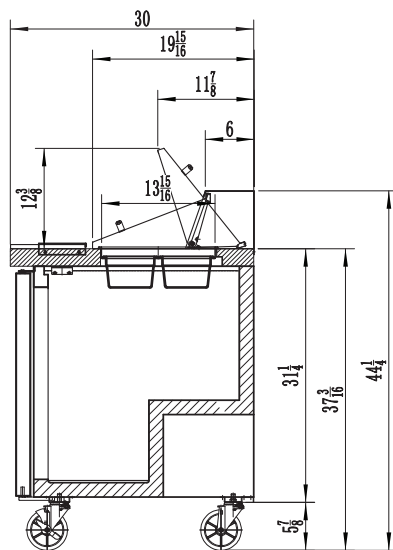
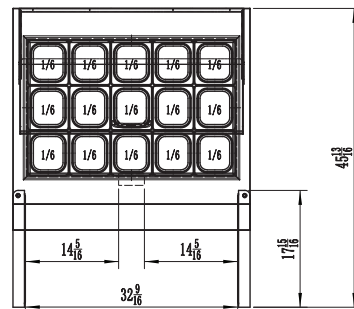
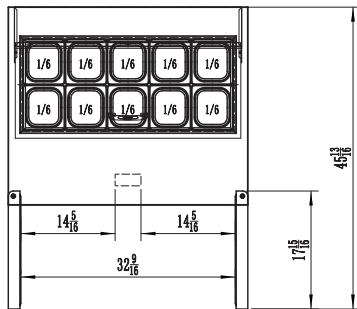
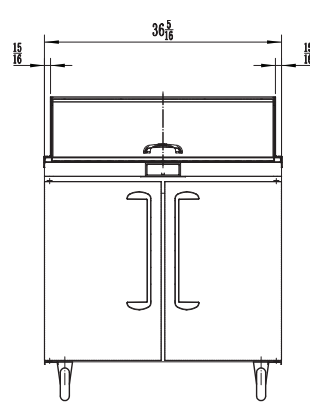


DIMENSIONAL DRAWINGS

C-SP36-10-HC



C-SP36-15BT-HC



MIGALI® REMAINS AN AMERICAN FAMILY COMPANY SINCE 1955